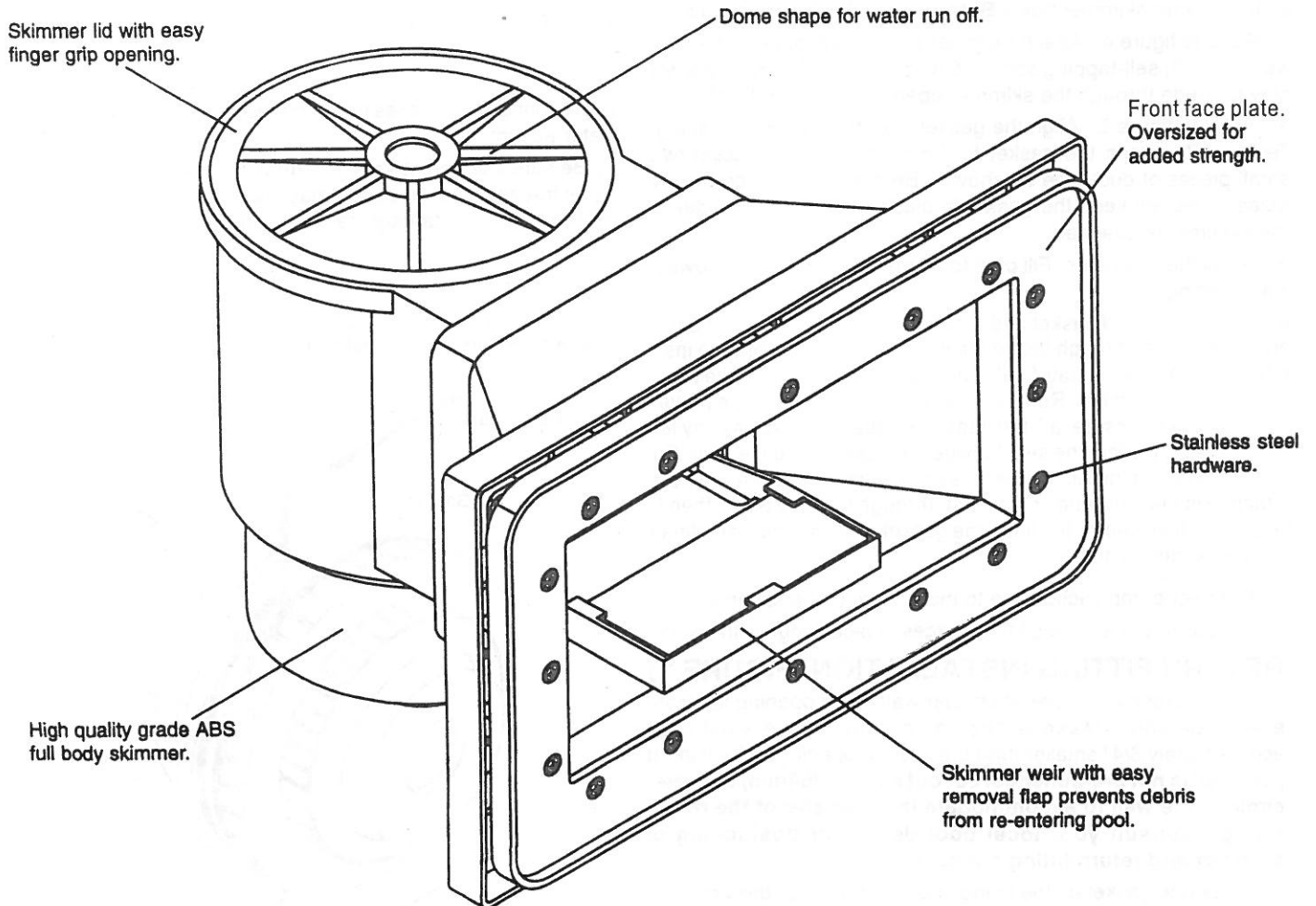
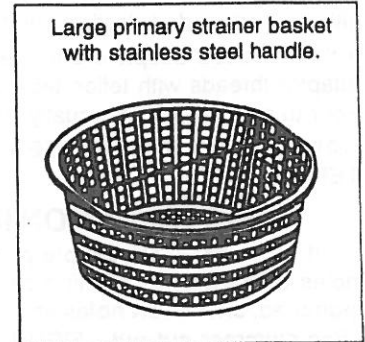
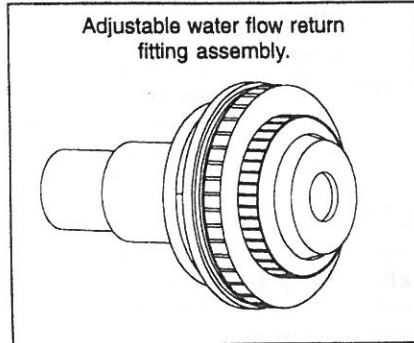
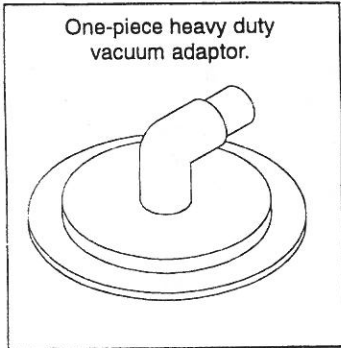


# RAPID-FLO POOL SKIMMER

Automatic Skimmer and Recirculation System  
Includes: Hardware, Gaskets & Instructions

## OPERATION/INSTALLATION INSTRUCTIONS



TO BE LEFT WITH OWNER

## IMPORTANT

This product has been carefully inspected and packed at our factory. As the carrier has assumed full responsibility for its safe arrival, any claim for damage to the shipment, either visible or concealed, must be made on the carrier.

## GENERAL

In order to obtain effective skimming over the entire surface, locate the skimmer with reference to the shape of the pool, the prevailing wind, and the circulation pattern within the pool. Promote surface drift toward the skimmer by taking advantage of the prevailing wind and by using the directional return fitting to give a suitable circulation pattern.

The skimmer housing and return fitting body have 1-1/2" female threads. Tapered adaptors are provided for easy hose connections with either a 1-1/4" or 1-1/2" hose. This arrangement allows using either rigid threaded plastic pipes or a flexible 1-1/4" or 1-1/2" hose. If the threaded adaptors are used, refer to figure 3. Wrap the adaptor threads with teflon tape in a counter-clockwise rotation. Four to eight wraps are usually sufficient.

**CAUTION: FOR THREADED CONNECTIONS USE ONLY TEFLON TAPE.**

## INSTALLATION INSTRUCTIONS

1. If pool wall is already pre-punched, simply punch out screw holes and skimmer opening panel. **If pool wall is not pre-punched, drill screw holes and cut out square in the pool wall. (See skimmer cut-out - FIGURE 2). Consult your local pool dealer for positioning of skimmer and return fitting cut-outs.**
2. Install your skimmer now - **Before installing your pool liner.**
3. Refer to figure 4. Attach skimmer body to the back of the pool wall with (10) self-tapping screws 5/8" long. The skimmer face will now protrude through the skimmer opening of the pool wall.
4. Refer to figure 5. Align the gasket over the skimmer opening. Temporarily attach the gasket to the skimmer mouth using two small pieces of duct tape as shown. Be careful not to cover any holes. This will keep the gasket in place while the remainder of the skimmer is attached.
5. Install the vinyl liner. Fill pool to approximately 2" below lowest wall opening.
6. Align the second gasket and face plate. Starting in the four corners, pierce liner through face plate holes one at a time prior to inserting each screw. Install 4 self-tapping screws 1" long in the four corners of the skimmer. Remove the two pieces of duct tape previously installed. Ensure all the tape has been removed as any left over tape may affect the seal between the gasket and the liner. Complete installing the rest of the screws. In summary, the screws are attached in the following order: first, through the face plate, then the gasket, followed by the liner, the gasket, the pool wall, and finally into the skimmer body.
7. Connect pump suction line to the bottom of the skimmer.
8. Cut out vinyl liner along inside edges of face flange with a knife.

## RETURN FITTING INSTALLATION (FIGURE 1)

1. Gently press vinyl liner at circular wall fitting opening to locate exact opening. Make a circular cut-out in the vinyl liner approximately 3/4" smaller than the circular opening in the wall. **If pool wall is not pre-punched, cut out a 2-1/2" (64mm) diameter circle in the wall to accommodate the diameter of the return fitting. Consult your local pool dealer for positioning of skimmer and return fitting cut-outs.**
2. Place one gasket on the fitting and insert through the vinyl liner and pool wall. Place second gasket on the fitting and tighten locknut securely.

3. Insert directional eyeball into return fitting and secure with eyeball nut. Opening should face away from wall skimmer opening for best circulation.

4. Connect filter return line to the fitting.

## OPERATING INSTRUCTIONS

### 1. Adjusting surface skimming and circulation.

To adjust return water flow direction, loosen knurled outer ring of return fitting, move ball to desired position and re-tighten knurled ring (hand-tight only). Water flow should be directed away from wall skimmer opening. For optimal surface skimming and circulation, a clockwise or counter-clockwise water flow is desired.

### 2. Cleaning skimmer basket.

To clean basket, remove skimmer lid and pull out basket and empty. (The basket can also be removed through the front opening at an angle).

### 3. Vacuuming.

To attach vacuum cleaner hose, place the vacuum adaptor into the skimmer by inserting through the top of the skimmer, or by pulling weir forward and inserting it through the face plate opening. Be sure to securely fit vacuum adapter over the top of the skimmer basket. Fill vacuum hose with water and insert vacuum hose onto the vacuum adaptor.

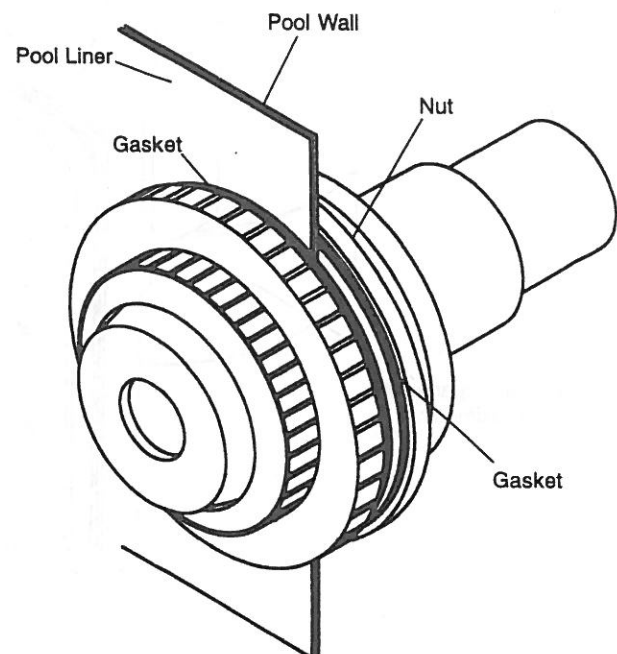
### 4. Removing weir.

To remove weir, simply apply pressure to both sides and remove from skimmer.

## WINTERIZING PROCEDURES

1. Plug return fitting with winter plug available at your local pool dealer. Maintain normal water level. Remove basket and weir. Store indoors.
2. Disconnect filter hoses from skimmer and return fitting to prevent water accumulation.
3. Be sure skimmer is kept free from water accumulation. (When water freezes, it expands and may crack skimmer body). Warranty does not include damage caused by formation of ice in skimmer.

Figure 1 - Return Fitting Installation



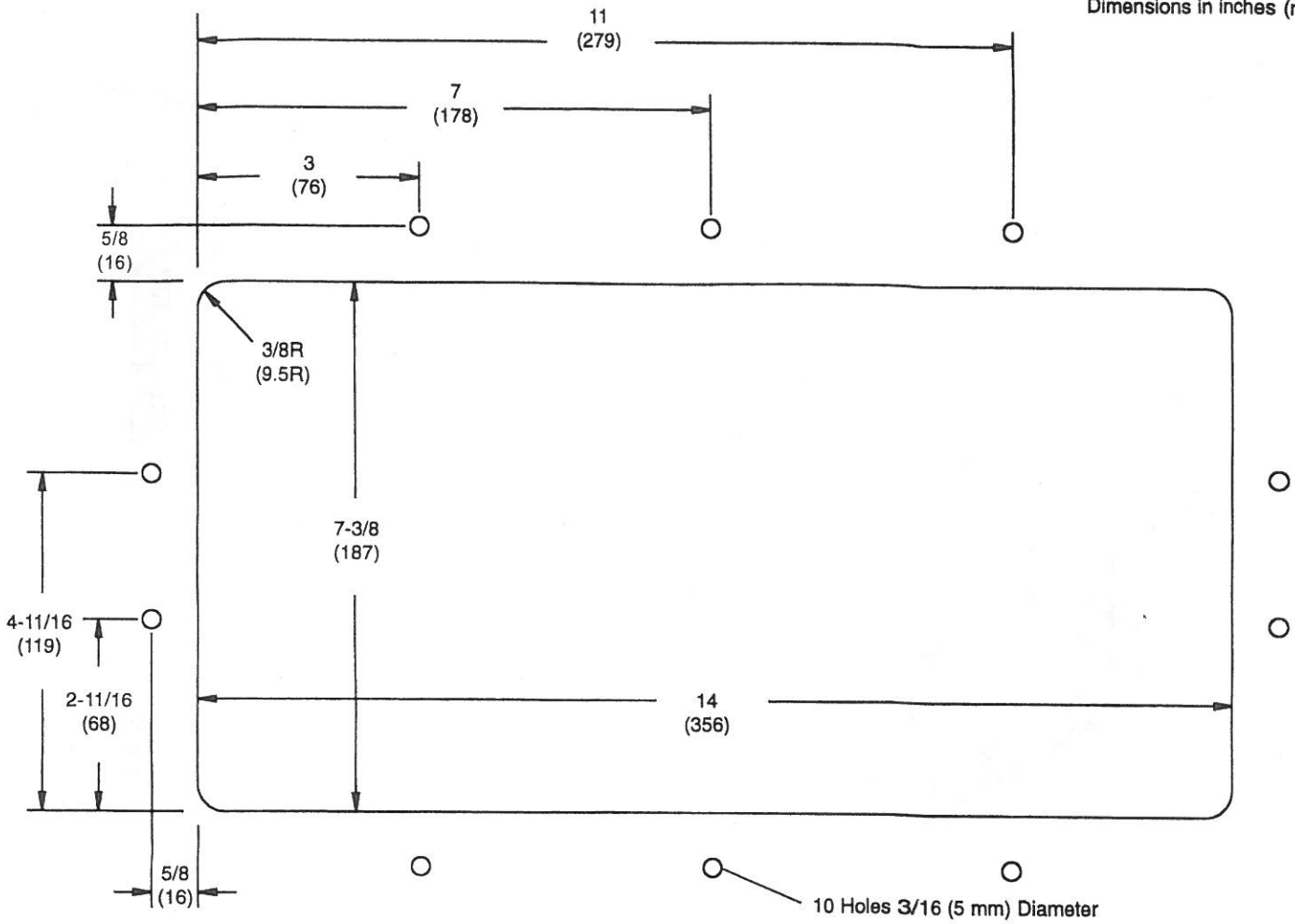
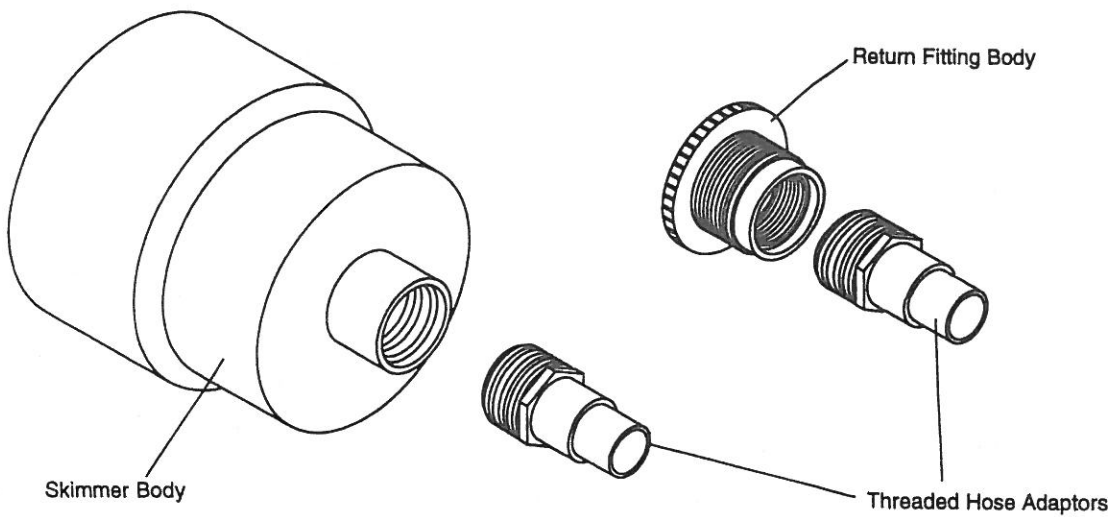


Figure 2 - Skimmer Wall Cut-out

Figure 3 - Threaded Adaptor Installation



Wrap the adaptor threads with teflon tape in a counter-clockwise rotation. Four to eight wraps are usually sufficient. **For threaded connections use only teflon tape.**

Figure 4 - Skimmer Installation

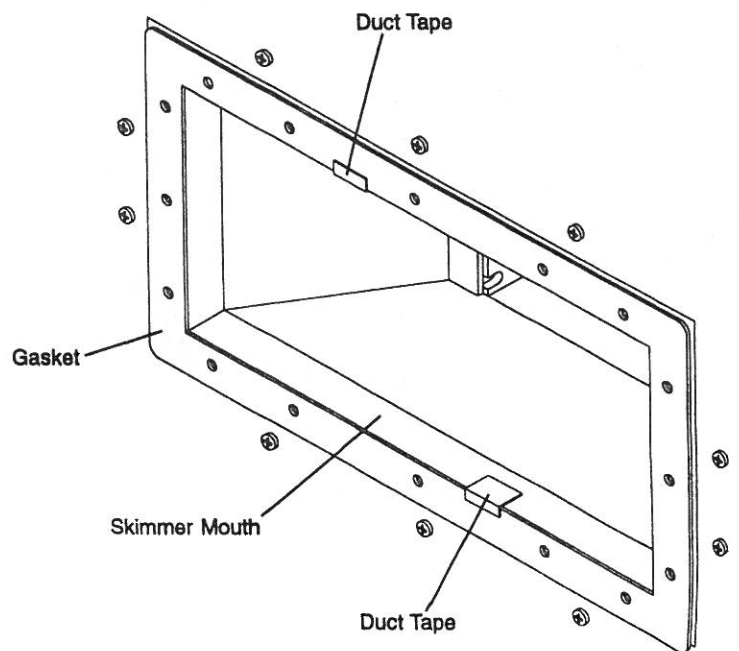
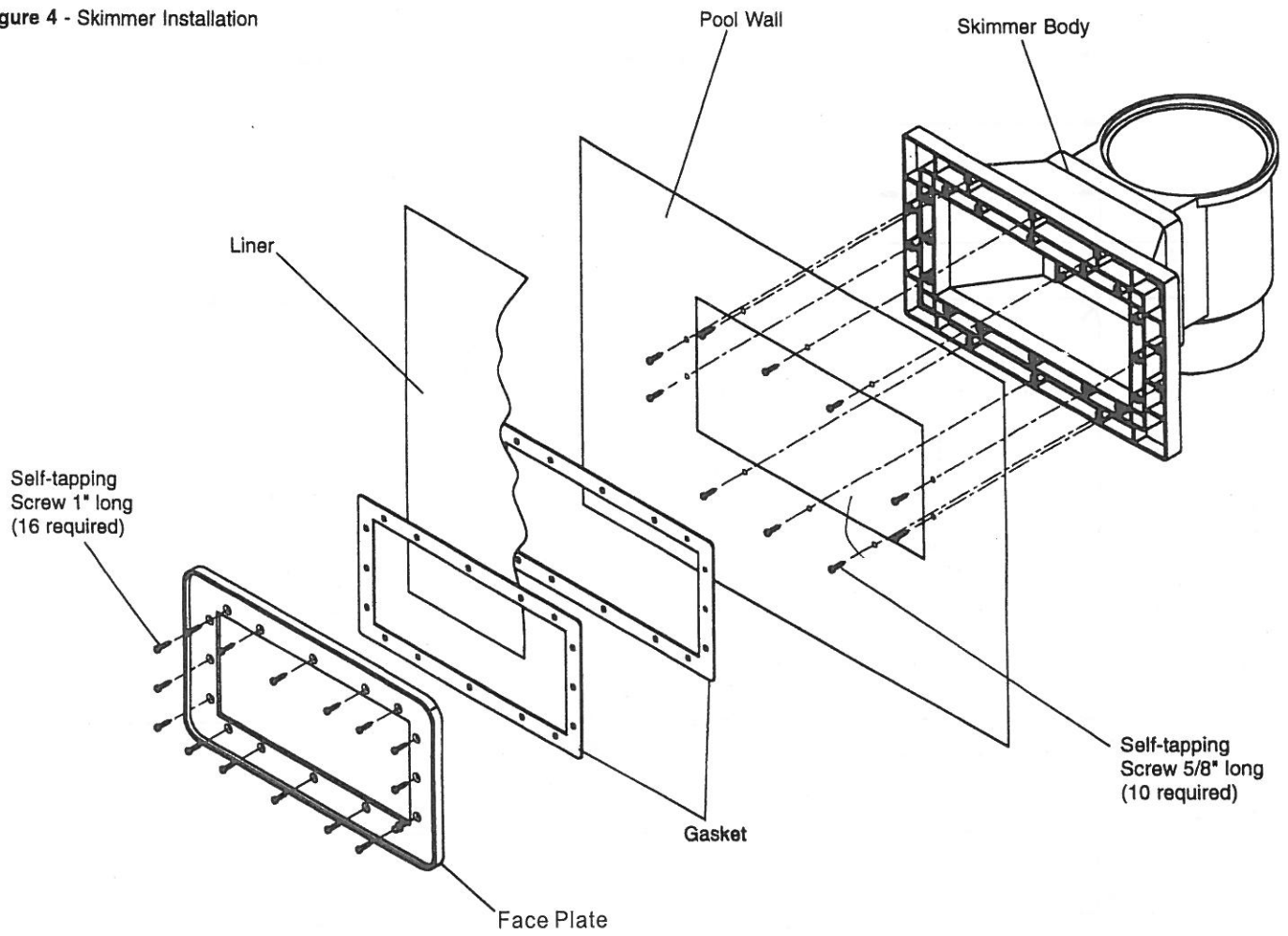


Figure 5 - Gasket Installation